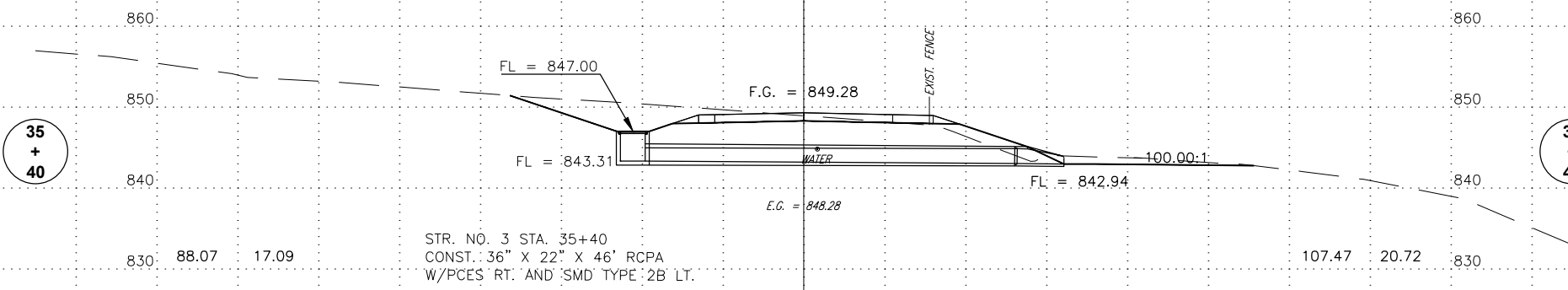
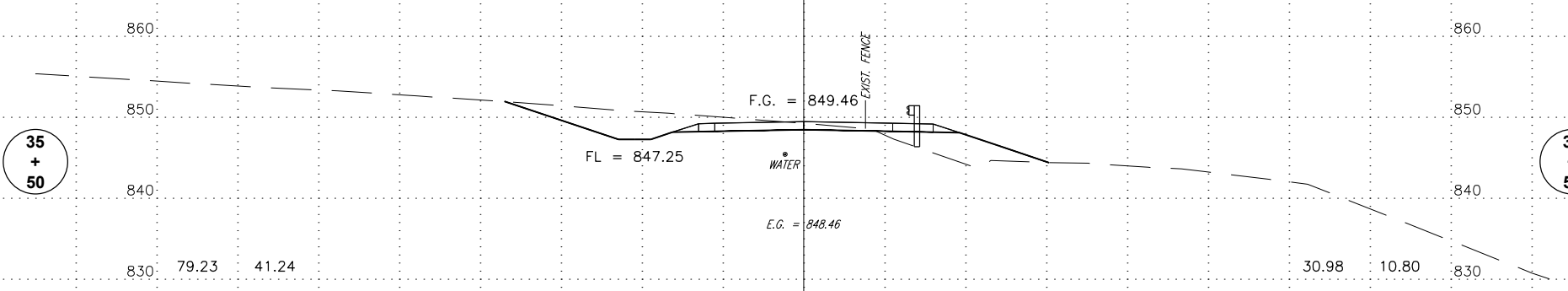
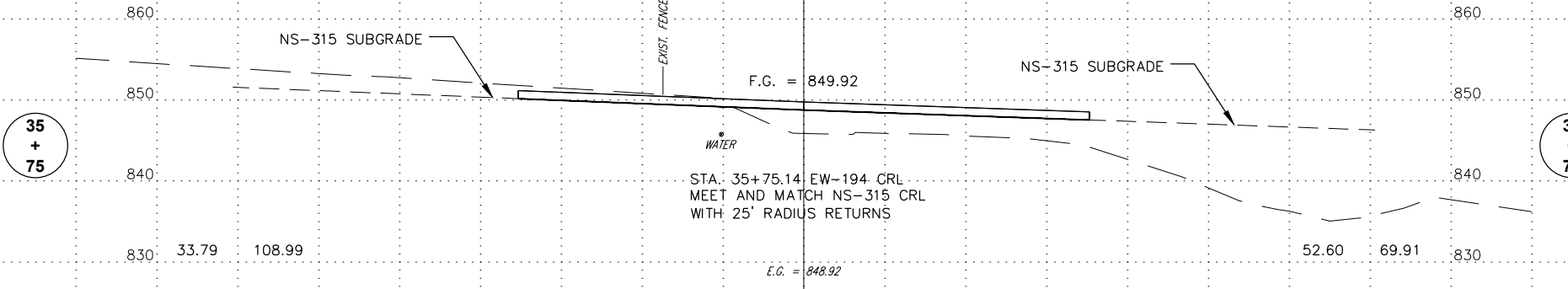


**STA. 35+75.14
END EW-194
= STA. 35+65.66
244.03' LT. CL SURVEY**

AREA
S.F.
EXC. EMB.

VOLUME
C.Y.
EXC. EMB.



STR. NO. 3 STA. 35+40
CONST. 36" X 22" X 46' RCPA
W/PCES RT. AND SMD TYPE 2B LT.

ALL UTILITY LOCATIONS &
DEPTHS ARE APPROXIMATE.

0 5' 10' 20'
FILE: 13228 WALNUT CREEK LWC - BASEMAP.DWG
DATE: 4/13/17
STATE JOB PIECE NO. 28448(04) SHEET NO. X013